

Alfa Laval MA30-S

Gasketed plate heat exchanger for fibrous fluids

Introduction

Alfa Laval WideGap is used for fibrous liquids, for highly viscous fluids and for fluids containing coarse particles. The wide gaps between the plates, the plate pattern and the smooth port design allow fluids with fibres and particles to easily flow through the heat exchanger.

The available channel gap sizes for this model are:

- wide/narrow 11/5 mm (0.43/0.20 inch)
- wide/wide 11/11 mm (0.43/0.43 inch)

Applications

- Biotech and Pharmaceutical
- Chemicals
- Energy and Utilities
- Mining, Minerals and Pigments
- Pulp and Paper
- Water and Waste treatment

Benefits

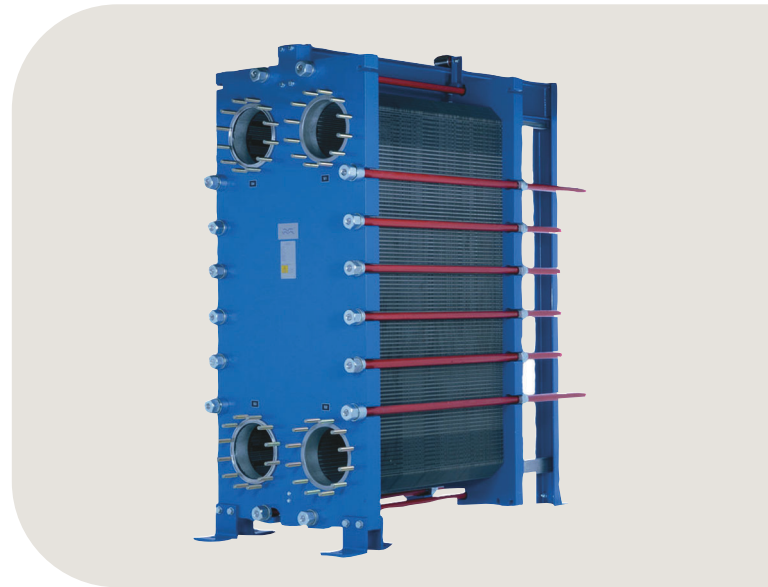
- Maximum uptime for fouling applications
- High energy efficiency – low operating cost
- Flexible configuration – heat transfer area can be modified
- Easy to install – compact design
- High serviceability – easy to open for inspection and cleaning and easy to clean by CIP
- Access to Alfa Laval's global service network

Features

Every detail is carefully designed to ensure optimal performance, maximum uptime and easy maintenance. Selection of available features, depending on configuration some features may not be applicable:



- Five-point alignment
- Reinforced hanger
- Chocolate pattern distribution area
- Glued gasket
- Leak chamber
- Bearing boxes
- Fixed bolt head
- Key hole bolt opening
- Lifting lug



- Lining
- Lock washer
- Pressure plate roller
- Tightening bolt cover

Alfa Laval 360° Service Portfolio

Our extensive service offering ensure top performance from your Alfa Laval equipment throughout its life cycle. The Alfa Laval 360 Service Portfolio include installation services, cleaning and repair as well as spare parts, technical documentation and trouble shooting. We also offer replacement, retrofit, monitoring and much more.

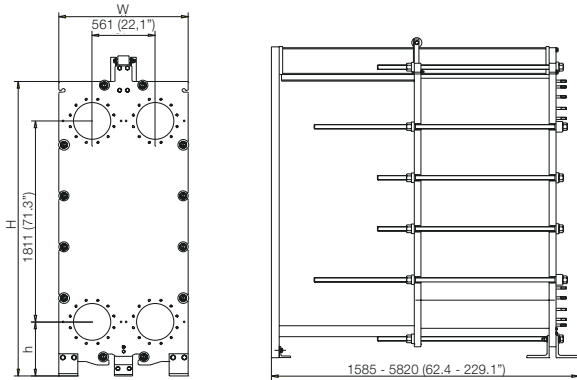
For information about our complete service offering and how to contact us - please visit www.alfalaval.com/service.

General remarks for technical information

- The global offering presented in this leaflet may not be available for all regions
- All combinations may not be configurable

Dimensional drawing

Measurements mm (inches)



Type	H	W	h
MA30-FM	2882 (113.5")	1170 (46.1")	485 (19.1")
MA30-FG	2918 (114.9")	1170 (46.1")	521 (20.5")

Technical data

Plates	Type	Free channel, mm (inches)
MA30-S	Wide-gap	11 / 11 (0.43/0.43) wide/narrow
MA30-SM	Wide-gap	11 / 5 (0.43/0.20) wide/wide

Materials

Heat transfer plates	316/316L Ti
Field gaskets	NBR, EPDM
Flange connections	Carbon steel Metal lined: stainless steel, titanium
Frame and pressure plate	Carbon steel, epoxy painted

Other materials may be available on request

Operational data

Frame, PV-code	Max. design pressure (barg/psig)	Max. design temperature (°C/°F)
FM, ASME	6.9/100	180/356
FM, PED	10.0/145	160/320 (160/320)
FG, ASME	10.7/155	250/482
FG, PED	16.0/232	210/410

Extended pressure and temperature rating may be available on request.

Flange connections

Frame model	Connection standard
FM, ASME	ASME B16.5 Class 150 NPS 12
	ASME B16.5 Class 150 NPS 14
FM, PED	EN 1092-1 DN300 PN10
	EN 1092-1 DN350 PN10
	ASME B16.5 Class 150 NPS 12
FG, ASME	ASME B16.5 Class 150 NPS 12
	ASME B16.5 Class 150 NPS 14
FG, PED	EN 1092-1 DN300 PN16
	EN 1092-1 DN350 PN16
	ASME B16.5 Class 150 NPS 12
	ASME B16.5 Class 150 NPS 14

Standard EN1092-1 corresponds to GOST 12815-80 and GB/T 9115.

This document and its contents are subject to copyrights and other intellectual property rights owned by Alfa Laval Corporate AB. No part of this document may be copied, re-produced or transmitted in any form or by any means, or for any purpose, without Alfa Laval Corporate AB's prior express written permission. Information and services provided in this document are made as a benefit and service to the user, and no representations or warranties are made about the accuracy or suitability of this information and these services for any purpose. All rights are reserved.

How to contact Alfa Laval

Up-to-date Alfa Laval contact details for all countries are always available on our website at www.alfalaval.com