

# Alfa Laval AQ6

## Gasketed plate heat exchanger for HVAC applications

### Introduction

Alfa Laval AlfaQ™ is AHRI Certified® through the Liquid to Liquid Heat Exchangers (LLHE) Certification Program which ensures thermal performance in accordance with the product specifications.

Suitable for HVAC applications, this model is available with a large selection of plate and gasket types.

### Applications

- HVAC

### Benefits

- High energy efficiency – low operating cost
- Flexible configuration – heat transfer area can be modified
- Easy to install – compact design
- High serviceability – easy to open for inspection and cleaning and easy to clean by CIP
- Access to Alfa Laval's global service network

### Features

Every detail is carefully designed to ensure optimal performance, maximum uptime and easy maintenance. Selection of available features, depending on configuration some features may not be applicable:



- Five-point alignment
- Corner guided alignment system
- Chocolate pattern distribution area
- Glued gasket
- Clip-on gasket
- Leak chamber
- Bearing boxes
- Fixed bolt head
- Key hole bolt opening
- Lifting lug
- Lining
- Lock washer
- Pressure plate roller
- Tightening bolt cover

### Alfa Laval 360° Service Portfolio

Our extensive service offering ensure top performance from your Alfa Laval equipment throughout its life cycle. The Alfa



Laval 360 Service Portfolio include installation services, cleaning and repair as well as spare parts, technical documentation and trouble shooting. We also offer replacement, retrofit, monitoring and much more.

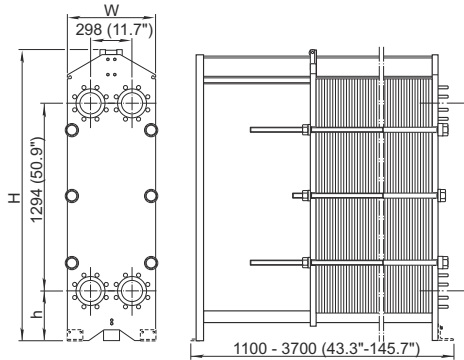
For information about our complete service offering and how to contact us - please visit [www.alfalaval.com/service](http://www.alfalaval.com/service).

## General remarks for technical information

- The global offering presented in this leaflet may not be available for all regions
- All combinations may not be configurable

## Dimensional drawing

Measurements mm (inches)



Type	H	W	h
M15-FL	1815 (71.5")	610 (24.0")	275 (10.8")
M15-FM	max. 1941 (76.4")	610 (24.0")	275 (10.8")
M15-FG	max. 1941 (76.4")	650 (25.6")	275 (10.8")
M15-FD	max. 2036 (80.2)	650 (25.6")	370 (14.6")

The number of tightening bolts may vary depending on pressure rating.

## Technical data

Plates	Type	Free channel, mm (inches)
M15-B	Single plate	2.5 (0.098)
M15-M	Single plate	4.0 (0.16)

Materials	
	304/304L, 316/316L, 904L, 254
Heat transfer plates	C-276, C-2000 825 Ni, Ti, TiPd
Field gaskets	NBR, EPDM, FKM, Q, HeatSeal
	Carbon steel
Flange connections	Metal lined: stainless steel, titanium Rubber lined: NBR, EPDM
Frame and pressure plate	Carbon steel, epoxy painted

Other materials may be available on request

## Operational data

Frame, PV-code	Max. design pressure (barg/psig)	Max. design temperature (°C/°F)
FL, pvcALS	6.0/87	130/266
FM, pvcALS	10.0/145	180/356
FM, PED	10.0/145	180/356
FG, pvcALS	16.0/232	180/356
FG, ASME	11.7/170	250/482

Frame, PV-code	Max. design pressure (barg/psig)	Max. design temperature (°C/°F)
FG, PED	16.0/232	180/356
FD, pvcALS	30.0/435	180/356
FD, ASME	20.7/300	180/356
FD, PED	30.0/435	180/356

Extended pressure and temperature rating may be available on request.

## Flange connections

Frame model	Connection standard
FL, pvcALS	EN 1092-1 DN150 PN10
	JIS B2220 10K 150A
FM, pvcALS	EN 1092-1 DN150 PN10
	ASME B16.5 Class 150 NPS 6 JIS B2220 10K 150A
FM, PED	EN 1092-1 DN150 PN10
	ASME B16.5 Class 150 NPS 6
FG, pvcALS	EN 1092-1 DN150 PN16
	ASME B16.5 Class 150 NPS 6 JIS B2220 16K 150A
FG, ASME	ASME B16.5 Class 150 NPS 6
	EN 1092-1 DN150 PN16
FG, PED	ASME B16.5 Class 150 NPS 6
	EN 1092-1 DN150 PN25
FD, pvcALS	ASME B16.5 Class 300 NPS 6 JIS B2220 20K 150A
	ASME B16.5 Class 300 NPS 6
FD, ASME	ASME B16.5 Class 300 NPS 6
	EN 1092-1 DN200 PN25
FDc, ASME	EN 1092-1 DN200 PN25
	ASME B16.5 Class 300 NPS 6

Standard EN1092-1 corresponds to GOST 12815-80 and GB/T 9115.

## Certificates



This document and its contents are subject to copyrights and other intellectual property rights owned by Alfa Laval Corporate AB. No part of this document may be copied, re-produced or transmitted in any form or by any means, or for any purpose, without Alfa Laval Corporate AB's prior express written permission. Information and services provided in this document are made as a benefit and service to the user, and no representations or warranties are made about the accuracy or suitability of this information and these services for any purpose. All rights are reserved.

## How to contact Alfa Laval

Up-to-date Alfa Laval contact details for all countries are always available on our website at [www.alfalaval.com](http://www.alfalaval.com)