

# Alfa Laval AlfaCond 400

## Gasketed plate heat exchanger for condensing applications

### Introduction

Alfa Laval AlfaCond is a plate surface condenser designed for condensation under vacuum. AlfaCond is based on Alfa Laval's semi-welded technology. Vapour condenses in the welded channel while the cooling medium passes through the gasketed channel. In addition to stainless steel, the plates are also available in titanium, which makes it possible to use sea water as a cooling medium.

### Applications

- Biotech and Pharmaceutical
- Chemicals
- Energy and Utilities
- Food and Beverages
- Marine and Transportation
- Mining, Minerals and Pigments
- Pulp and Paper
- Water and Waste treatment

### Benefits

- Optional sub-cooling of condensate and non-condensable gases
- Flexible configuration – heat transfer area can be modified
- Easy to install – compact design
- High serviceability – easy to open for inspection and cleaning and easy to clean by CIP
- Access to Alfa Laval's global service network

### Features

Every detail is carefully designed to ensure optimal performance, maximum uptime and easy maintenance. Selection of available features, depending on configuration some features may not be applicable:

- Reinforced hanger
- Glued gasket
- Fixed bolt head
- Key hole bolt opening
- Lifting lug
- Lining
- Lock washer
- Pressure plate roller
- Tightening bolt cover



### Alfa Laval 360° Service Portfolio

Our extensive service offering ensure top performance from your Alfa Laval equipment throughout its life cycle. The Alfa Laval 360 Service Portfolio include installation services, cleaning and repair as well as spare parts, technical documentation and trouble shooting. We also offer replacement, retrofit, monitoring and much more.

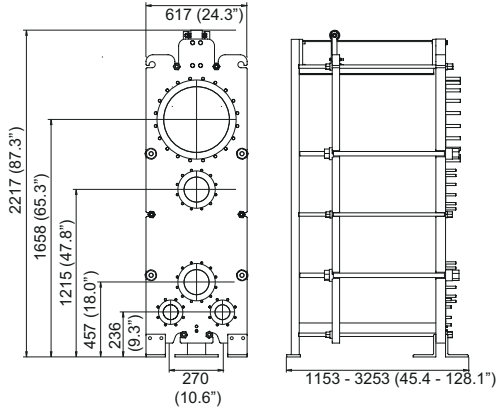
For information about our complete service offering and how to contact us - please visit [www.alfalaval.com/service](http://www.alfalaval.com/service).

## General remarks for technical information

- The global offering presented in this leaflet may not be available for all regions
- All combinations may not be configurable

## Dimensional drawing

Measurements mm (inches)



## Technical data

Plates	Type	Free channel, mm (inches)
AC400-W	Semi-welded	11 / 3 (0.43 / 0.12)

### Materials

Heat transfer plates	316/316L Ti
Field gaskets	NBR, EPDM
Ring gaskets	NBR, EPDM, FKM
Flange connections	Metal lined: stainless steel, titanium
Frame and pressure plate	Carbon steel, epoxy painted

Other materials may be available on request

## Operational data

Frame, PV-code	Max. design pressure (barg/psig) <sup>1</sup>	Max. design temperature (°C/°F)
FL, pvcALS	6.0/87 (6.0/87)	160/320 (160/320)
FL, ASME	6.2/90 (6.2/90)	160/320 (160/320)
FL, PED	6.0/87 (6.0/87)	160/320 (160/320)

<sup>1</sup> Values for Vapour channel (Cooling media channel)

Extended pressure and temperature rating may be available on request.

## Connections

Ports	Connection standard
Vapour inlet	EN1092-1 DN400 PN10
	ASME B16.5 Class 150 NPS 16 JIS B2220 10K 400A
Condensate outlets	EN1092-1 DN100 PN10
	ASME B16.5 Class 150 NPS 4 JIS B2220 10K 100A
Cooling media inlet and outlet	EN1092-1 DN150 PN10
	ASME B16.5 Class 150 NPS 6 JIS B2220 10K 150A

This document and its contents are subject to copyrights and other intellectual property rights owned by Alfa Laval Corporate AB. No part of this document may be copied, re-produced or transmitted in any form or by any means, or for any purpose, without Alfa Laval Corporate AB's prior express written permission. Information and services provided in this document are made as a benefit and service to the user, and no representations or warranties are made about the accuracy or suitability of this information and these services for any purpose. All rights are reserved.

### How to contact Alfa Laval

Up-to-date Alfa Laval contact details for all countries are always available on our website at [www.alfalaval.com](http://www.alfalaval.com)